

# SPEAKER SYSTEM

# NS-90/C120/120

## SERVICE MANUAL

NS-90/C120/120

### ■ SPECIFICATIONS

	NS-90	NS-C120	NS-120
<b>Type</b>	2-way bass reflex magnetic shielding type	2-way bass reflex magnetic shielding type	2-way bass reflex magnetic shielding type
<b>Speaker Unit</b>			
<b>Woofers</b>	13 cm (5") cone	10 cm (4") cone x 2	13 cm (5") cone
<b>Tweeter</b>	3 cm (1") dome	3 cm (1") dome	3 cm (1") dome
<b>Frequency Response</b>	60 Hz ~ 35 kHz	60 Hz ~ 35 kHz	42 Hz ~ 35 kHz
<b>Nominal Impedance</b>	6 ohms	6 ohms	6 ohms
<b>Nominal Input Power</b>	60 W	60 W	60 W
<b>Maximum Input Power</b>	200 W	200 W	200 W
<b>Sensitivity</b>	89 dB/2.83 V/m	88 dB/2.83 V/m	88 dB/2.83 V/m
<b>Crossover Frequency</b>	3 kHz	3 kHz	3 kHz
<b>Input Terminal</b>	Screw / Banana type	Screw / Banana type	Screw / Banana type
<b>Dimensions (W x H x D)</b>	168 x 310 x 177 mm (6-5/8" x 12-3/16" x 7")	480 x 140 x 171 mm (18-7/8" x 5-1/2" x 6-3/4")	168 x 800 x 269 mm (6-5/8" x 31-1/2" x 10-9/16")
<b>Weight</b>	4 kg (8 lbs. 13 oz.) /1 piece	5.2 kg (11 lbs. 7 oz.)	12.5 kg (27 lbs. 9 oz.) /1 piece
<b>Finish</b>	Cherry / Black	Cherry / Black	Cherry / Black
<b>Accessories</b>		Velcro strips	Spike x 4, Stand x 4

\* Specifications are subject to change without notice due to product improvements.

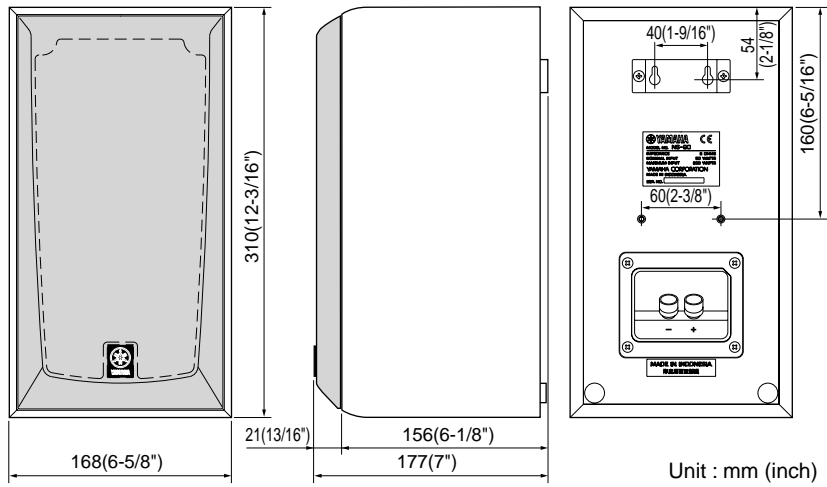


このサービスマニュアルは、エコマーク認定の再生紙を使用しています。  
This Service Manual uses recycled paper.

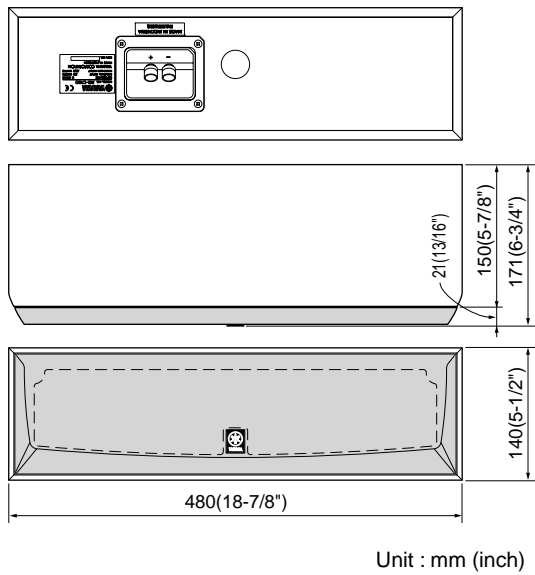


# DIMENSIONS

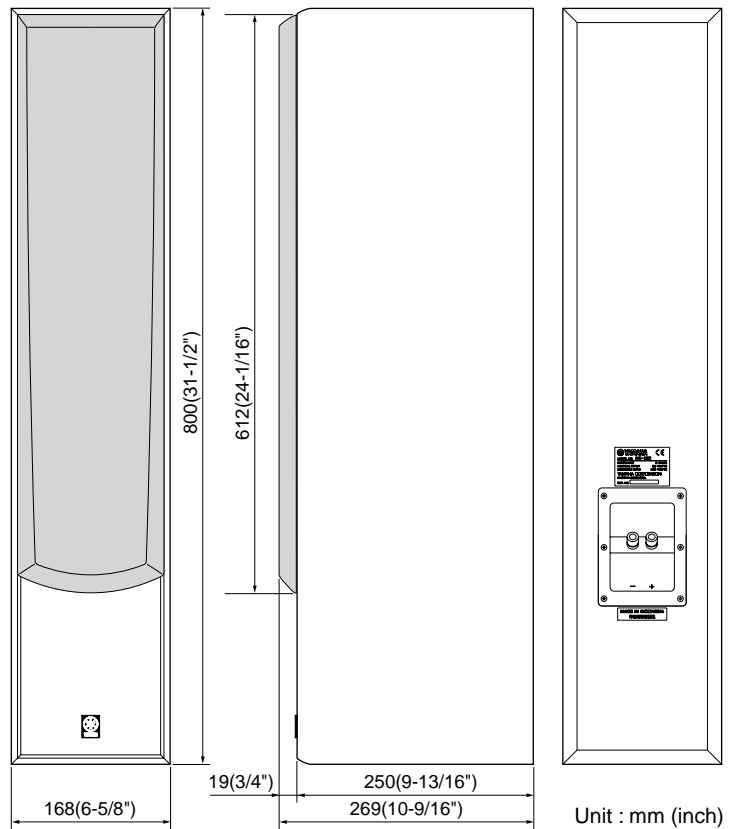
## NS-90



## NS-C120

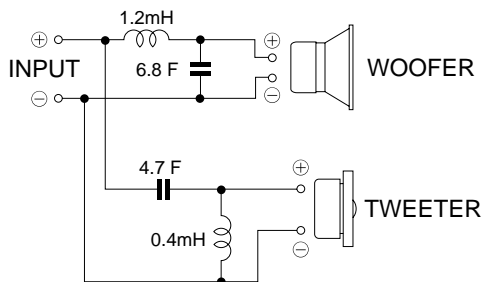


## NS-120

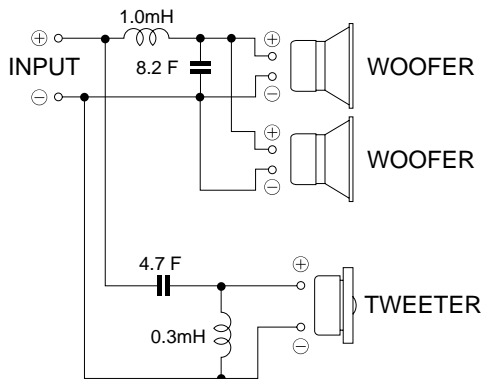


## ■ NETWORK CIRCUIT DIAGRAM

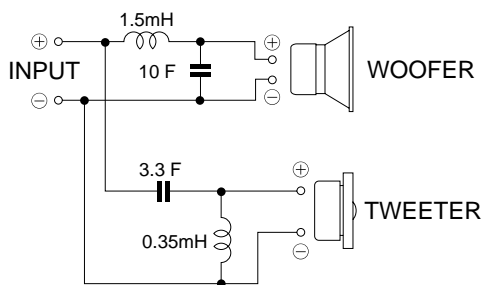
NS-90



NS-C120

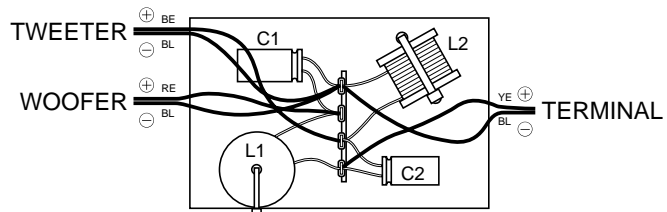


NS-120

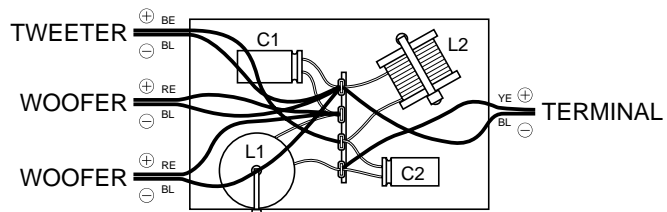


## ■ WIRING DIAGRAM

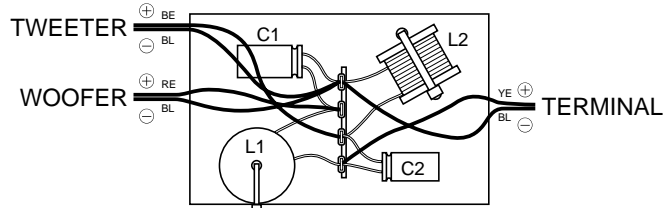
NS-90



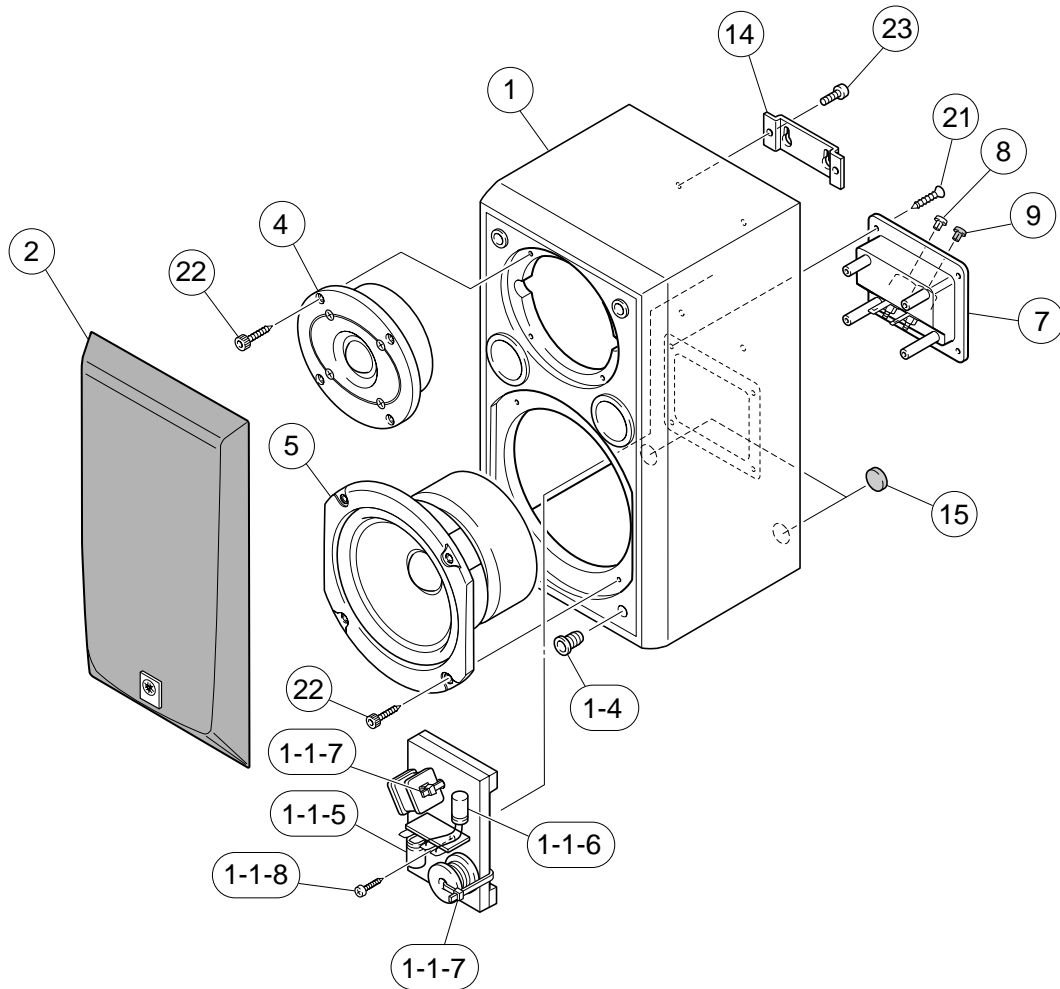
NS-C120



NS-120



## EXPLODED VIEW (NS-90)



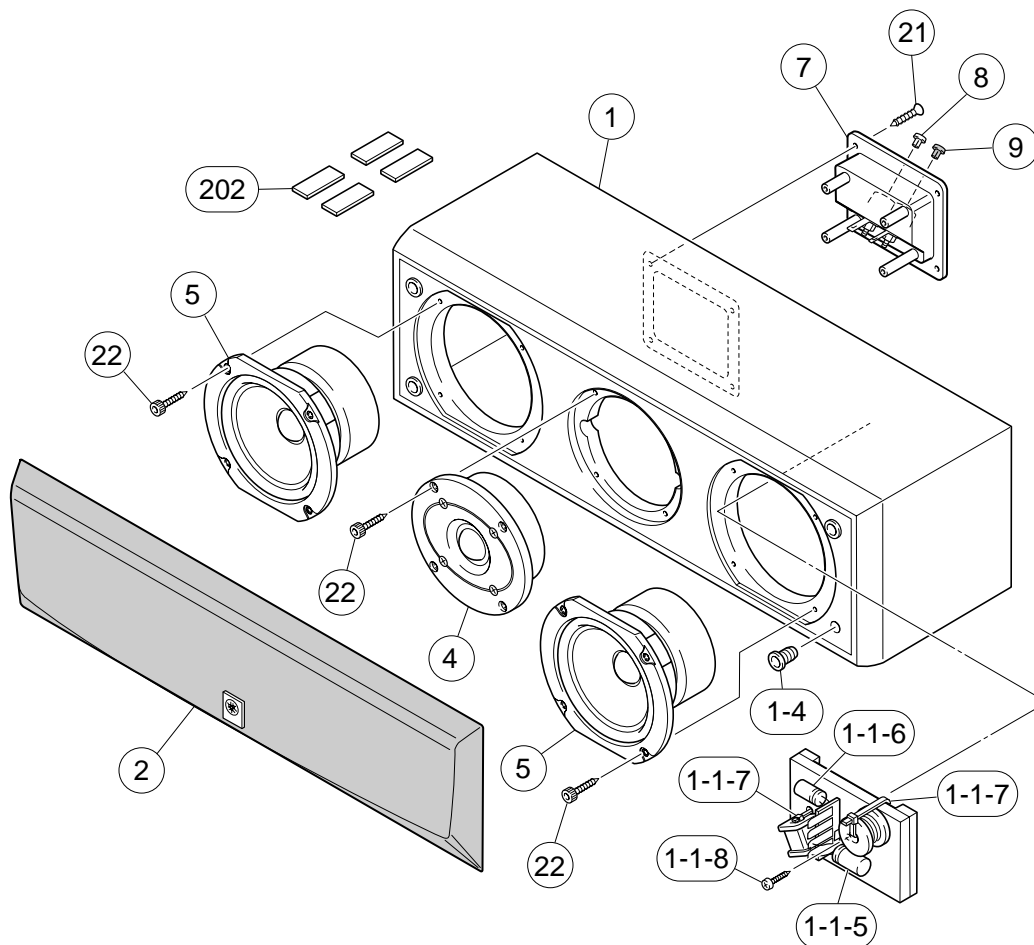
Use an Allen wrench (3mm) to unscrew the loud speaker.

## PARTS LIST

Ref. No.	PART NO.	Description			Remarks	Markets
* 1	V5367500	CABINET ASSY			CH	
* 1	V5367600	CABINET ASSY			BL	
* 1-1-5	V5370100	ELECTROLYTIC CAP	6.8uF	63V		
* 1-1-6	V5357100	ELECTROLYTIC CAP	4.7uF	63V		
* 1-1-7	CB818540	BINDING TIE	T-30RF-2			
* 1-1-8	EP030200	BIND HEAD TAPPING SCREW	3x8	ZMC2-Y		
1-4	CB605250	HOLDER				
* 2	V5368100	FRONT GRILLE ASS'Y			CH	
* 2	V5368300	FRONT GRILLE ASS'Y			BL	
* 4	XY377A00	LOUD SPEAKER	2.5cm	JA05U9		
* 5	XY379A00	LOUD SPEAKER	13cm	JA1361		
* 7	V5361300	SPEAKER TERMINAL	2P			
* 8	V5361400	TERMINAL CAP	S06E	RED		
* 9	V5361500	TERMINAL CAP	S06E	BLACK		
* 14	V5361200	BRACKET				
15	VY893800	INSULATOR				
* 21	V5537900	OVAL HEAD TAPPING SCREW #1	3.5x16	MFZN2BL		
* 22	V5537800	HEXAGON SOCKET TAPPING SCREW	4x20	MFZN2BL		
* 23	VB132700	BIND HEAD SCREW	4x12	MFZN2-BL		

\* New Parts

## ■ EXPLODED VIEW (NS-C120)



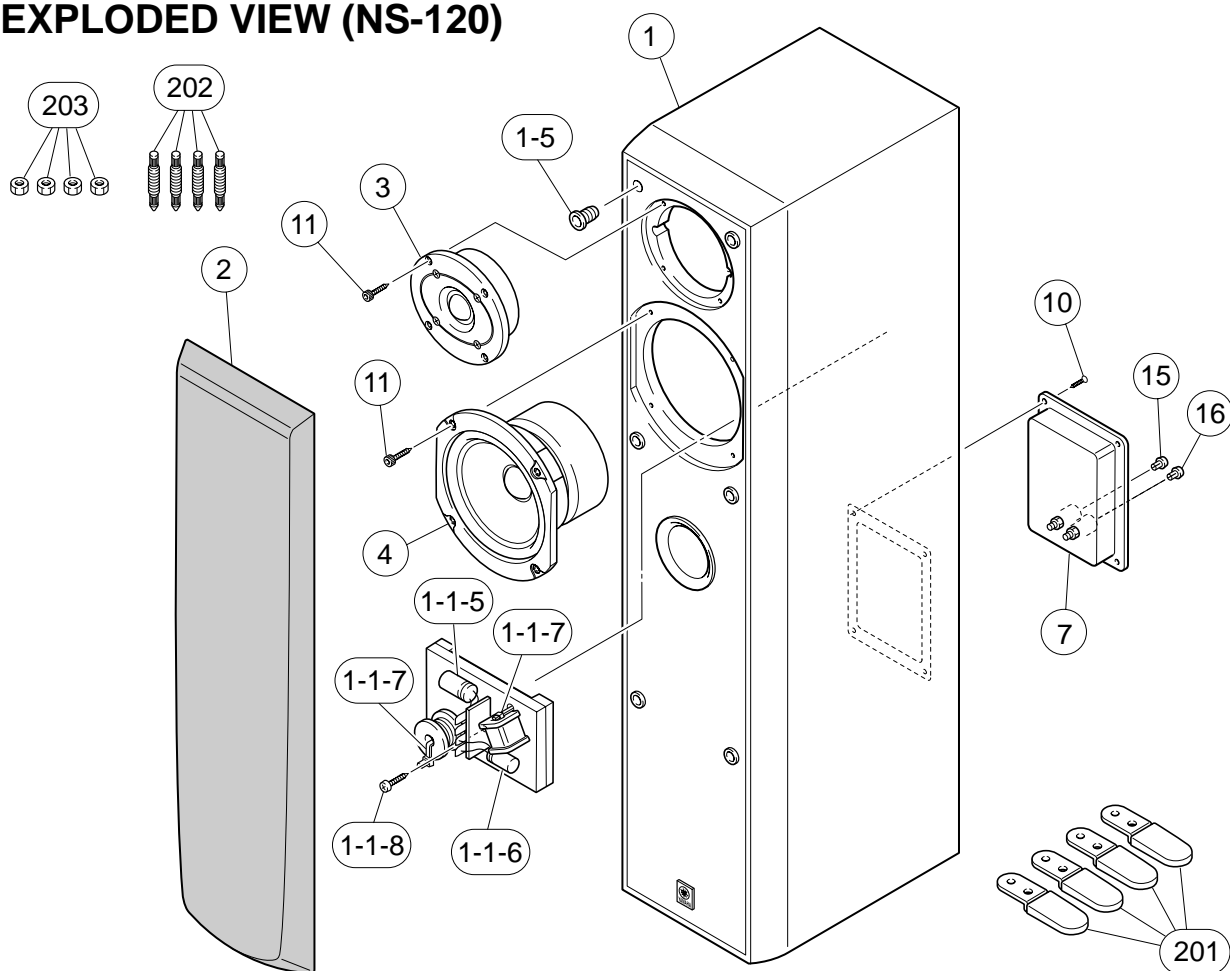
Use an Allen wrench (3mm) to unscrew the loud speaker.

## ■ PARTS LIST

Ref. No.	PART NO.	Description	Remarks	Markets
* 1	V5353500	CABINET ASSY	CH	
* 1	V5353600	CABINET ASSY	BL	
* 1-1-5	V5357200	ELECTROLYTIC CAP	8.2uF 63V	
1-1-6	V5357100	ELECTROLYTIC CAP	4.7uF 63V	
1-1-7	CB818540	BINDING TIE	T-30RF-2	
1-1-8	EP030200	BIND HEAD TAPPING SCREW	3x8 ZMC2-Y	
1-4	CB605250	HOLDER		
* 2	V5353800	FRONT GRILLE ASS'Y	CH	
* 2	V5353900	FRONT GRILLE ASS'Y	BL	
4	XY377A00	LOUD SPEAKER	2.5cm JA05U9	
* 5	XY378A00	LOUD SPEAKER	10cm JA1086	
7	V5361300	SPEAKER TERMINAL	2P	
8	V5361400	TERMINAL CAP	S06E RED	
9	V5361500	TERMINAL CAP	S06E BLACK	
21	V5537900	OVAL HEAD TAPPING SCREW #1	3.5x16 MFZN2BL	
22	V5537800	HEXAGON SOCKET TAPPING SCREW	4x20 MFZN2BL	
* 202	V4903800	ACCESSORIES VELCRO STRIPS		

\* New Parts

## EXPLODED VIEW (NS-120)



Use an Allen wrench (3mm) to unscrew the loud speaker.

## PARTS LIST

Ref. No.	PART NO.	Description	Remarks	Markets	
*	1	V5382900	CABINET ASSY	CH	
*	1	V5383000	CABINET ASSY	BL	
*	1-1-5	V5386100	ELECTROLYTIC CAP	10uF 63V	
*	1-1-6	V5397000	ELECTROLYTIC CAP	3.3uF 63V	
*	1-1-7	CB818540	BINDING TIE	T-30RF-2	
*	1-1-8	EP030200	BIND HEAD TAPPING SCREW	3x8 ZMC2-Y	
	1-5	CB60525	HOLDER		
*	2	V5383200	FRONT GRILLE ASS'Y	CH	
*	2	V5383400	FRONT GRILLE ASS'Y	BL	
*	3	XY377A00	LOUD SPEAKER	2.5cm JA05U9	
*	4	XY379A00	LOUD SPEAKER	13cm JA1361	
*	7	V5389700	SPEAKER TERMINAL		
*	10	V5537900	OVAL HEAD TAPPING SCREW #1	3.5x16 MFZN2BL	
*	11	V5537800	HEXAGON SOCKET TAPPING SCREW	4x20 MFZN2BL	
*	15	V5361400	TERMINAL CAP	S06E RED	
*	16	V5361500	TERMINAL CAP	S06E BLACK	
			ACCESSORIES		
*	201	V5004900	STAND ASS'Y	4sets	
*	202	V5386900	SPIKE	M6.0x15	(GTR)
	203	V2450400	HEXAGONAL NUT	6.0 MFZN2-BL	(GTR)

\* New Parts